

JAF

BALL BEARINGS



MANUFACTURERS OF "JAF" BALL BEARINGS
FUJINO IRON WORKS CO., LTD.



Ball Bearing
Offers
services and
cooperation
To make
the products
at lowest
cost
On any
machine
and anywhere
Whether they
are standard
Or of special
made to order



Special Bearings will be designed and manufactured in accordance with your request.

Our special bearings, even if it a small lot, can be produced almost at the same cost as that of standard sizes because they are designed and manufactured on the bases of the parts of standard bearings.

As the mechanical technique makes progress, various kinds of special bearings have come to be used. Through our many years' research and experience, we make bearings of perfect and excellent quality from standard to special types.

CONTENTS

SERIES NO. DESCRIPTION

PAGE

Metric

Single Row Ball Bearings

WE6000, WE6200, WE6300	3
W200, W300	4

Metric

Double Row Angular Contact Ball Bearings

5200, 5200-ZZ, 5300, 5300-ZZ	5
5200-2RS, 5300-2RS	6
W5200-2RS, W5300-2RS, 3000-ZZ, 5000-ZZ	7

Metric, Inch

Self-Aligning Ball Bearings

2200-2RS, 2300-2RS, RL	8
1200, 11200, 120 (I -71200)	9

Inch

Single Row Ball Bearings

75E, 76E	10
EE (R), 77R, 99R, 1600	11
RLS, RMS	12

Metric

Felt Seal Type Ball Bearings

88000, 87000	13
WC88000, WC87000	14

Metric

Track Roller Type Ball Bearings

LD200-2RS	15
LD5700-ZZ, LD5800-ZZ	16

Metric

Uni-Flange Ball Bearings

SH200 (Single Row Type)	17
SR200 (Self-Aligning Type)	18

Inch

Spherical O.D. Ball Bearings

RA200, RA100	19
--------------	----

Metric

Cylindrical O.D. Ball Bearings

ER100 with Snap ring	20
----------------------	----

Stainless Steel Ball Bearings	21
-------------------------------	----

Special type Ball Bearings	22, 23, 24
----------------------------	------------

Seal Types	25
------------	----

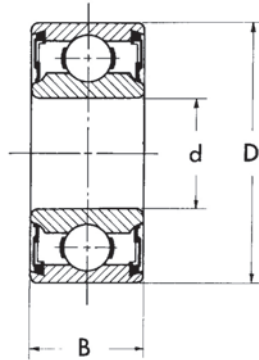
Measure Standard for Quality	26
------------------------------	----

MANUFACTURER OF "JAF" BALL BEARINGS

FUJINO IRON WORKS CO.,LTD.



WE6000
WE6200
WE6300

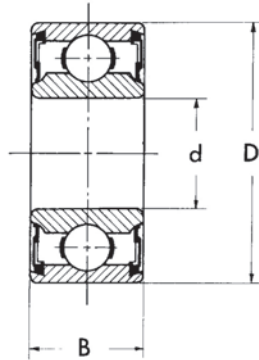


Bearing No.	Dimensions (mm)				Limiting Speed (r.p.m.)	Load Rating (kgf)		Weight (kg)	Interchange Information
	d	D	B	C		Cr	Cor		
WE6000-2RS	10	26	12	0.5	17,500	360	185	0.028	63000-2RS
WE6001-2RS	12	28	12	0.5	15,500	510	240	0.032	63001-2RS
WE6002-2RS	15	32	13	0.5	13,500	560	280	0.042	63002-2RS
WE6003-2RS	17	35	14	0.5	11,500	610	330	0.051	63003-2RS
WE6004-2RS	20	42	16	1.0	10,000	950	500	0.088	63004-2RS
WE6005-2RS	25	47	16	1.0	8,900	1,020	590	0.100	63005-2RS
WE6006-2RS	30	55	19	1.5	7,500	1,340	840	0.159	63006-2RS
WE6007-2RS	35	62	20	1.5	6,600	1,620	1,030	0.210	63007-2RS
WE6008-2RS	40	68	21	1.5	6,000	1,700	1,150	0.259	63008-2RS
WE6009-2RS	45	75	23	1.5	5,300	2,120	1,530	0.345	63009-2RS
WE6010-2RS	50	80	23	1.5	5,000	2,200	1,670	0.370	63010-2RS
WE6200-2RS	10	30	14	1.0	14,500	510	240	0.042	62200-2RS
WE6201-2RS	12	32	14	1.0	14,000	620	280	0.046	62201-2RS
WE6202-2RS	15	35	14	1.0	12,500	690	340	0.056	62202-2RS
WE6203-2RS	17	40	16	1.0	11,000	880	440	0.085	62203-2RS
WE6204-2RS	20	47	18	1.5	9,500	1,090	570	0.128	62204-2RS
WE6205-2RS	25	52	18	1.5	8,300	1,420	790	0.146	62205-2RS
WE6206-2RS	30	62	20	1.5	7,000	1,980	1,140	0.242	62206-2RS
WE6207-2RS	35	72	23	2.0	6,000	2,120	1,320	0.435	62207-2RS
WE6208-2RS	40	80	23	2.0	5,100	2,950	1,820	0.450	62208-2RS
WE6209-2RS	45	85	23	2.0	4,700	3,320	2,070	0.485	62209-2RS
WE6210-2RS	50	90	23	2.0	4,300	3,570	2,350	0.535	62210-2RS
WE6211-2RS	55	100	25	2.0	3,800	4,400	2,990	-	62211-2RS
WE6301-2RS	12	37	17	1.5	11,500	750	430	0.074	62301-2RS
WE6302-2RS	15	42	17	1.5	11,000	1,160	550	0.110	62302-2RS
WE6303-2RS	17	47	19	1.5	9,500	1,380	660	0.149	62303-2RS
WE6304-2RS	20	52	21	2.0	8,800	1,610	790	0.197	62304-2RS
WE6305-2RS	25	62	24	2.0	7,300	1,900	980	0.320	62305-2RS
WE6306-2RS	30	72	27	2.0	6,100	2,700	1,520	0.485	62306-2RS
WE6307-2RS	35	80	31	2.5	5,400	3,380	1,920	0.670	62307-2RS
WE6308-2RS	40	90	33	2.5	4,700	4,120	2,400	0.910	62308-2RS
WE6309-2RS	45	100	36	2.5	4,300	4,570	2,770	1.190	62309-2RS

Single Row Ball Bearings

W200 W300

W200-2RS



Bearing No.	Dimensions (mm)				Limiting Speed (r.p.m.)	Load Rating (kgf)		Weight (kg)	Interchange Information
	d	D	B	C		Cr	Cor		
W200-2RS	10	30	14.3	1.0	14,500	510	240	0.046	63200-2RS
W201-2RS	12	32	15.9	1.0	14,000	620	280	0.055	63201-2RS
W202-2RS	15	35	15.9	1.0	12,500	690	340	0.068	63202-2RS
W203-2RS	17	40	17.5	1.0	11,000	880	440	0.090	63203-2RS
W204-2RS	20	47	20.6	1.5	9,500	1,090	570	0.150	63204-2RS
W205-2RS	25	52	20.6	1.5	8,300	1,420	790	0.175	63205-2RS
W206-2RS	30	62	23.8	1.5	7,000	1,980	1,140	0.280	63206-2RS
W207-2RS	35	72	27.0	2.0	6,000	2,120	1,320	0.435	63207-2RS
W208-2RS	40	80	30.2	2.0	5,100	2,950	1,820	0.600	63208-2RS
W209-2RS	45	85	30.2	2.0	4,700	3,320	2,070	0.640	63209-2RS
W210-2RS	50	90	30.2	2.0	4,300	3,570	2,350	0.675	63210-2RS
W211-2RS	55	100	33.3	2.5	3,800	4,400	2,990	-	63211-2RS

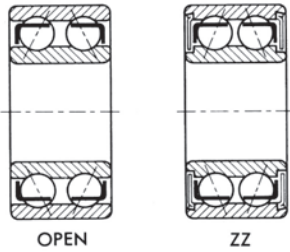
ZZ, ZZNR and 2RSNR types are also available

W300-2RS

Bearing No.	Dimensions (mm)				Limiting Speed (r.p.m.)	Load Rating (kgf)		Weight (kg)	Interchange Information
	d	D	B	C		Cr	Cor		
W303-2RS	17	47	22.2	1.5	9,500	1,380	660	0.176	63303-2RS
W304-2RS	20	52	22.2	2.0	8,800	1,610	790	0.210	63304-2RS
W305-2RS	25	62	25.4	2.0	7,300	1,900	980	0.315	63305-2RS
W306-2RS	30	72	30.2	2.0	6,100	2,700	1,520	0.530	63306-2RS
W307-2RS	35	80	34.9	2.5	5,400	3,380	1,920	0.710	63307-2RS
W308-2RS	40	90	36.5	2.5	4,700	4,120	2,400	1.020	63308-2RS
W309-2RS	45	100	39.7	2.5	4,300	4,570	2,770	1.300	63309-2RS

ZZ, ZZNR and 2RSNR types are also available

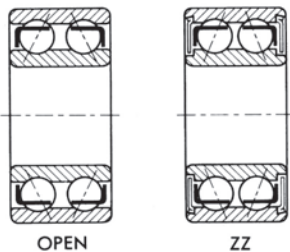
Series 5200, 5200 ZZ



Bearing No.		Dimensions							Weight (kg)
Open	ZZ	Bore		O.D.		Width		Chamfer mm	
		mm	inch	mm	inch	mm	inch		
5200	5200 ZZ	10	0.3937	30	1.1811	14.3	9/16	1.0	0.06
5201	5201 ZZ	12	0.4724	32	1.2598	15.9	5/8	1.0	0.07
5202	5202 ZZ	15	0.5906	35	1.3780	15.9	5/8	1.0	0.08
5203	5203 ZZ	17	0.6693	40	1.5748	17.5	11/16	1.0	0.09
5204	5204 ZZ	20	0.7874	47	1.8504	20.6	13/16	1.5	0.12
5205	5205 ZZ	25	0.9843	52	2.0472	20.6	13/16	1.5	0.19
5206	5206 ZZ	30	1.1811	62	2.4409	23.8	15/16	1.5	0.29
5207	5207 ZZ	35	1.3780	72	2.8346	27.0	1-1/16	2.0	0.43
5208	5208 ZZ	40	1.5748	80	3.1496	30.2	1-3/16	2.0	0.57
5209	5209 ZZ	45	1.7717	85	3.3465	30.2	1-3/16	2.0	0.62
5210	5210 ZZ	50	1.9687	90	3.5433	30.2	1-3/16	2.0	0.67
5211	5211 ZZ	55	2.1654	100	3.9370	33.3	1-5/16	2.5	0.87

NR, ZNR, ZZNR types are available

Series 5300, 5300 ZZ



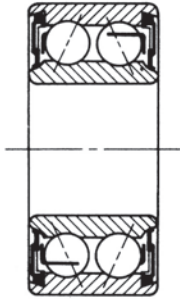
Bearing No.		Dimensions							Weight (kg)
Open	ZZ	Bore		O.D.		Width		Chamfer mm	
		mm	inch	mm	inch	mm	inch		
5302	5302 ZZ	15	0.5906	42	1.6535	19.0	3/4	1.5	0.17
5303	5303 ZZ	17	0.6693	47	1.8504	22.2	7/8	1.5	0.22
5304	5304 ZZ	20	0.7874	52	2.0472	22.2	7/8	2.0	0.23
5305	5305 ZZ	25	0.9843	62	2.4409	25.4	1	2.0	0.34
5306	5306 ZZ	30	1.1811	72	2.8346	30.2	1-3/16	2.0	0.51
5307	5307 ZZ	35	1.3780	80	3.1496	34.9	1-3/8	2.5	0.79
5308	5308 ZZ	40	1.5748	90	3.5433	36.5	1-7/16	2.5	1.05
5309	5309 ZZ	45	1.7717	100	3.9370	39.7	1-9/16	2.5	1.41

NR, ZNR, ZZNR types are available

Double Row Ball Bearings

5200-2RS 5300-2RS

Series 5200-2RS



Bearing No.	Dimensions (mm)				Limiting Speed (r.p.m.)	Load Rating (kgf)		Weight (kg)
	Bore	O.D.	Width	Chamfer		Cr	Cor	
5200-2RS	10	30	14.3	1.0	13,000	700	390	0.060
5201-2RS	12	32	15.9	1.0	12,000	900	510	0.070
5202-2RS	15	35	15.9	1.0	10,000	1,150	700	0.080
5203-2RS	17	40	17.5	1.0	9,500	1,300	830	0.090
5204-2RS	20	47	20.6	1.5	8,500	1,900	1,250	0.120
5205-2RS	25	52	20.6	1.5	7,400	2,100	1,450	0.210
5206-2RS	30	62	23.8	1.5	6,000	2,500	1,850	0.290
5207-2RS	35	72	27.0	2.0	5,500	3,100	2,400	0.430
5208-2RS	40	80	30.2	2.0	5,000	3,600	2,880	0.570
5209-2RS	45	85	30.2	2.0	4,500	4,100	3,300	0.620
5210-2RS	50	90	30.2	2.0	4,100	4,300	3,800	0.670
5211-2RS	55	100	33.3	2.5	3,800	5,500	4,600	0.960

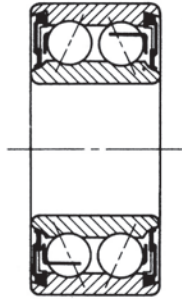
RSNR, 2RSNR types are available

Series 5300-2RS

Bearing No.	Dimensions (mm)				Limiting Speed (r.p.m.)	Load Rating (kgf)		Weight (kg)
	Bore	O.D.	Width	Chamfer		Cr	Cor	
5302-2RS	15	42	19.0	1.5	10,000	1,300	830	0.155
5303-2RS	17	47	22.2	1.5	9,000	1,900	1,250	0.190
5304-2RS	20	52	22.2	2.0	8,000	2,000	1,260	0.210
5305-2RS	25	62	25.4	2.0	6,600	2,700	1,800	0.350
5306-2RS	30	72	30.2	2.0	5,500	4,000	2,800	0.550
5307-2RS	35	80	34.9	2.5	5,000	5,100	3,500	0.710
5308-2RS	40	90	36.5	2.5	4,400	5,700	4,200	1.050

RSNR, 2RSNR types are available

Series W5200-2RS



Bearing No.	Dimensions (mm)				Limiting Speed (r.p.m.)	Load Rating (kgf)		Weight (kg)
	Bore	O.D.	Width	Chamfer		Cr	Cor	
W5202-2RS	15	35	18.2	1.0	10,000	1,150	700	0.075
W5203-2RS	17	40	20.6	1.0	9,500	1,300	830	0.115
W5204-2RS	20	47	23.8	1.5	8,500	1,900	1,250	0.180
W5205-2RS	25	52	23.8	1.5	7,400	2,100	1,450	0.230
W5206-2RS	30	62	27.0	1.5	6,000	3,000	2,150	0.325

2RSNR types are available

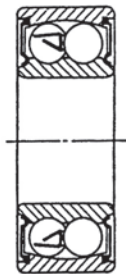
Series W5300-2RS, 5000-2RS, 5900-2RS

Bearing No.	Dimensions (mm)				Limiting Speed (r.p.m.)	Load Rating (kgf)		Weight (kg)
	Bore	O.D.	Width	Chamfer		Cr	Cor	
W5304-2RS	20	52	25.4	2.0	8,000	2,000	1,260	0.255
W5305-2RS	25	62	30.2	2.0	6,600	2,700	1,800	0.430
W5306-2RS	30	72	33.3	2.0	5,500	4,000	2,800	0.580
5006-2RS	30	55	23.0	1.0	7,000	2,000	1,500	0.205
5008-2RS (5908-2RS)	40	62	20.6	1.0	5,500	1,840	1,650	0.195

Series 3000-ZZ, 2RS

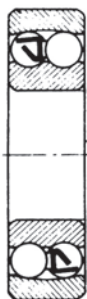
Bearing No.	Dimensions (mm)				Limiting Speed (r.p.m.)	Load Rating (kgf)		Weight (kg)
	Bore	O.D.	Width	Chamfer		Cr	Cor	
3005-ZZ	25	47	16.0	1.0	9,000	1,540	1,100	0.140
3006-ZZ	30	55	19.0	1.0	7,000	2,000	1,500	0.180
3006-2RS	30	55	19.0	1.0	7,000	2,000	1,500	0.180

Series 2200-2RS, 2300-2RS



Bearing No.	Dimensions (mm)				Limiting Speed (r.p.m.)	Load Rating (kgf)		Weight (kg)
	Bore	O.D.	Width	Chamfer		Cr	Cor	
2200-2RS	10	30	14.0	1.0	14,000	540	120	0.050
2201-2RS	12	32	14.0	1.0	13,000	560	130	0.055
2202-2RS	15	35	14.0	1.0	11,000	750	180	0.060
2203-2RS	17	40	16.0	1.0	10,500	800	200	0.098
2204-2RS	20	47	18.0	1.5	9,000	1,000	265	0.145
2205-2RS	25	52	18.0	1.5	7,700	1,220	330	0.165
2206-2RS	30	62	20.0	1.5	6,400	1,560	475	0.265
2207-2RS	35	72	23.0	2.0	5,500	1,600	525	0.420
2208-2RS	40	80	23.0	2.0	5,000	1,950	660	0.510
2209-2RS	45	85	23.0	2.0	4,600	2,200	740	0.550
2305-2RS	25	62	24.0	2.0	6,500	1,800	500	0.330
2306-2RS	30	72	27.0	2.0	5,600	2,150	640	0.500

Series RL



Bearing No.	Bore		O.D.		Width		Weight (kg)
	inch	mm	inch	mm	inch	mm	
RL- 4	1/2	12.700	1-5/16	33.338	3/8	9.525	0.044
RL- 5	5/8	15.875	1-9/16	39.688	7/16	11.112	0.072
RL- 6	3/4	19.050	1-7/8	47.625	9/16	14.288	0.130
RL- 7	7/8	22.225	2	50.800	9/16	14.288	0.150
RL- 8	1	25.400	2-1/4	57.150	5/8	15.875	0.200
RL- 9	1-1/8	28.575	2-1/2	63.500	5/8	15.875	0.250
RL-10	1-1/4	31.750	2-3/4	69.850	11/16	17.462	0.320
RL-12	1-1/2	38.100	3-1/4	82.550	3/4	19.050	0.500

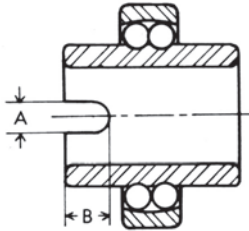
1200
11200
120 (I-71200)

Series 1200



Bearing No.	Bore		O.D.		Width		Weight (kg)
	mm	inch	mm	inch	mm	inch	
1200	10	0.3937	30	1.1811	9.0	0.3543	0.034
1201	12	0.4724	32	1.2598	10.0	0.3937	0.040
1202	15	0.5906	35	1.3780	11.0	0.4331	0.049
1203	17	0.6693	40	1.5748	12.0	0.4724	0.073
1204	20	0.7874	47	1.8504	14.0	0.5512	0.120
1205	25	0.9843	52	2.0472	15.0	0.5906	0.141
1206	30	1.1811	62	2.4409	16.0	0.6299	0.220
1207	35	1.3780	72	2.8346	17.0	0.6693	0.323
1208	40	1.5748	80	3.1496	18.0	0.7087	0.417

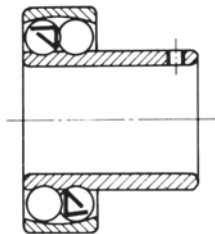
Series 11200



A : 7mm
B : 9mm

Bearing No.	Dimensions (mm)				Weight (kg)
	Bore	O.D.	Width of Outer ring	Width of Inner ring	
11204	20	47	14	40	0.180
11205	25	52	15	44	0.260
11206	30	62	16	48	0.365
11207	35	72	17	52	0.555
11208	40	80	18	56	0.720

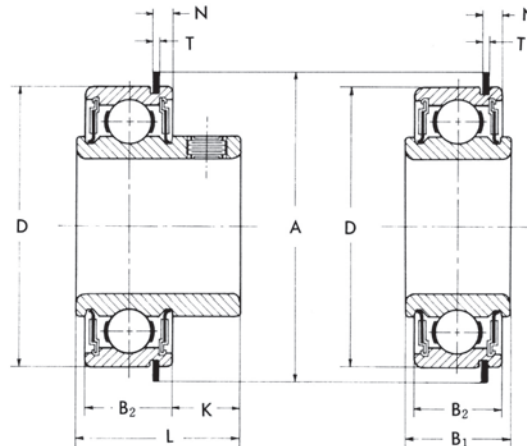
Series 120 double locking set screw



Bearing No.	Bore		O.D.		Width of Outer Ring		Width of Inner Ring		Weight (kg)	Interchange Information (FEDERAL)
	inch	mm	mm	inch	mm	inch	mm	inch		
123-010	5/8	15.875	40	1.5748	12.0	0.4724	37.7	1.486	0.130	I-71210
123-011	11/16	17.462								I-71211
124-012	3/4	19.050	47	1.8504	14.0	0.5512	40.3	1.588	0.205	I-71212
125-013	13/16	20.638								I-71213
125-014	7/8	22.225	52	2.0472	15.0	0.5906	40.8	1.607	0.240	I-71214
125-015	15/16	23.812								I-71215
125-100	1	25.400								I-71216
126-101	1-1/16	26.988								I-71217
126-102	1-1/8	28.575	62	2.4409	16.0	0.6299	42.9	1.690	0.355	I-71218
126-103	1-3/16	30.162								I-71219
127-104	1-1/4	31.750								I-71220
127-105	1-5/16	33.338	72	2.8346	17.0	0.6693	46.6	1.834	0.495	I-71221
127-106	1-3/8	34.925								I-71222
127-107	1-7/16	36.512								I-71223
128-108	1-1/2	38.100	80	3.1496	18.0	0.7087	47.1	1.854	0.640	I-71224
128-109	1-9/16	39.688								I-71225

Single Row Ball Bearings
INCH DIMENSION

75E (7500-DLG)
76E (7600-DLG)



76E
(7600-DLG)

75E
(7500-DLG)

Series 76E, 75E

Bearing No.		Bore		Dimensions (mm) (inch)								Weight	
76E	75E	inch	mm	D	B1	B2	L	K	A	N	T	76	75
76E08	75E08	1/2	12.700	44.450	19.050	15.875	27.74	10.28	49.2	3.5	1.07	0.18	0.14
76E10	75E10	5/8	15.875	1 3/4	3/4	5/8	1.092	.405	1 15/16	.135	.042	0.16	0.13
76E12	75E12	3/4	19.050									0.14	0.11
76E14	75E14	7/8	22.225	50.800	19.050	15.875	29.95	12.49	55.1	3.5	1.07	0.20	0.16
76E16	75E16	1	25.400	2	3/4	5/8	1.179	.492	2 11/64	.135	.042	0.17	0.14
76E18	75E18	1 1/8	28.575	65.088	22.225	19.050	36.00	15.39	70.6	4.9	1.65	0.39	0.31
76E20	75E20	1 1/4	31.750	2 9/16	7/8	3/4	1.417	.606	2 25/32	.191	.065	0.33	0.28

▪ **TWO SET SCREWS OF 76E :** Located 120° apart in inner ring extension



Single Row Ball Bearings

INCH DIMENSION

EE • R 1600

Series EE • R

Bearing No.			Bore		O.D.		Width		Weight (kg)
Open		Open	inch	mm	inch	mm	inch	mm	
EE- 5		R-10	5/8	15.875	1-3/8	34.925	9/32	7.144	0.028
EE- 6		R-12	3/4	19.050	1-5/8	41.275	5/16	7.938	0.042
EE- 7			3/4	19.050	1-3/4	44.450	3/8	9.525	0.064
EE- 8		R-14	7/8	22.225	1-7/8	47.625	3/8	9.525	0.071
EE- 9		R-16	1	25.400	2	50.800	3/8	9.525	0.085
EE-10		R-18	1-1/8	28.575	2-1/8	53.975	3/8	9.525	0.090
EE-11		R-20	1-1/4	31.750	2-1/4	57.150	3/8	9.525	0.095
EE-12		R-22	1-3/8	34.925	2-1/2	63.500	7/16	11.112	0.120
EE-13		R-24	1-1/2	38.100	2-5/8	66.675	7/16	11.112	0.150

Series 77R • 99R

Bearing No.			Bore		O.D.		Width		Weight (kg)
Shielded		Rubber seal	inch	mm	inch	mm	inch	mm	
77R-10		99R-10	5/8	15.875	1-3/8	34.925	11/32	8.731	0.032
77R-12		99R-12	3/4	19.050	1-5/8	41.275	7/16	11.112	0.053
77R-14		99R-14	7/8	22.225	1-7/8	47.625	1/2	12.700	0.088
77R-16		99R-16	1	25.400	2	50.800	1/2	12.700	0.105
77R-18		99R-18	1-1/8	28.575	2-1/8	53.975	1/2	12.700	0.115
77R-20		99R-20	1-1/4	31.750	2-1/4	57.150	1/2	12.700	0.120
77R-22		99R-22	1-3/8	34.925	2-1/2	63.500	9/16	14.288	0.170
77R-24		99R-24	1-1/2	38.100	2-5/8	66.675	9/16	14.288	0.175

Series 1600

Bearing No.			Bore		O.D.		Width		Weight (kg)
Open	Shielded	Rubber seal	inch	mm	inch	mm	inch	mm	
1621	1621-ZZ	1621-2RS	1/2	12.700	1-3/8	34.925	7/16	11.112	0.048
1630	1630-ZZ	1630-2RS	3/4	19.050	1-5/8	41.275	1/2	12.700	0.074
1635	1635-ZZ	1635-2RS	3/4	19.050	1-3/4	44.450	1/2	12.700	0.080
1641	1641-ZZ	1641-2RS	1	25.400	2	50.800	9/16	14.288	0.115
1654	1654-ZZ	1654-2RS	1-1/4	31.750	2-1/2	63.500	5/8	15.875	0.200

Single Row Ball Bearings
INCH DIMENSION

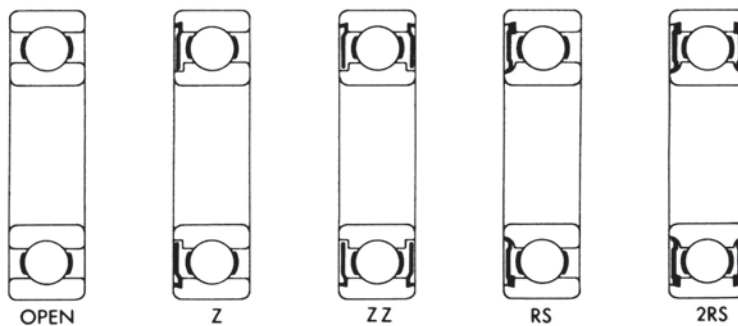
RLS
RMS

Series RLS

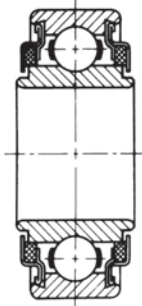
Bearing No.			Bore		O.D.		Width		Weight (kg)
Open	Shielded	Rubber seal	inch	mm	inch	mm	inch	mm	
RLS- 4	RLS- 4ZZ	RLS- 4 2RS	1/2	12.700	1-5/16	33.338	3/8	9.525	0.030
RLS- 5	RLS- 5ZZ	RLS- 5 2RS	5/8	15.875	1-9/16	39.688	7/16	11.112	0.060
RLS- 6	RLS- 6ZZ	RLS- 6 2RS	3/4	19.050	1-7/8	47.625	9/16	14.288	0.110
RLS- 7	RLS- 7ZZ	RLS- 7 2RS	7/8	22.225	2	50.800	9/16	14.288	0.130
RLS- 8	RLS- 8ZZ	RLS- 8 2RS	1	25.400	2-1/4	57.150	5/8	15.875	0.170
RLS- 9	RLS- 9ZZ	RLS- 9 2RS	1-1/8	28.575	2-1/2	63.500	5/8	15.875	0.210
RLS-10	RLS-10ZZ	RLS-10 2RS	1-1/4	31.750	2-3/4	69.850	11/16	17.462	0.280
RLS-11	RLS-11ZZ	RLS-11 2RS	1-3/8	34.925	3	76.200	11/16	17.462	0.370
RLS-12	RLS-12 ZZ	RLS-12 2RS	1-1/2	38.100	3-1/4	82.550	3/4	19.050	0.470

Series RMS

Bearing No.			Bore		O.D.		Width		Weight (kg)
Open	Shielded	Rubber seal	inch	mm	inch	mm	inch	mm	
RMS- 4	RMS- 4ZZ	RMS- 4 2RS	1/2	12.700	1-5/8	41.275	5/8	15.875	0.100
RMS- 5	RMS- 5ZZ	RMS- 5 2RS	5/8	15.875	1-13/16	46.038	5/8	15.875	0.110
RMS- 6	RMS- 6ZZ	RMS- 6 2RS	3/4	19.050	2	50.800	11/16	17.462	0.160
RMS- 7	RMS- 7ZZ	RMS- 7 2RS	7/8	22.225	2-1/4	57.150	11/16	17.462	0.200
RMS- 8	RMS- 8ZZ	RMS- 8 2RS	1	25.400	2-1/2	63.500	3/4	19.050	0.250
RMS- 9	RMS- 9ZZ	RMS- 9 2RS	1-1/8	28.575	2-13/16	71.438	13/16	20.638	0.380
RMS-10	RMS-10ZZ	RMS-10 2RS	1-1/4	31.750	3-1/8	79.375	7/8	22.225	0.510

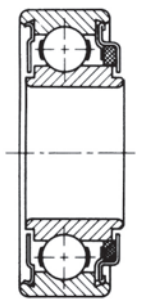


88000 Series



Felt Seal Ball Bearing	Bore		O.D.		Width of Outer ring		Width of Inner ring		Weight (kg)
	mm	inch	mm	inch	mm	inch	mm	inch	
88500	10	0.3937	30	1.1811	9	0.3543	16.4	0.6457	0.042
88011	11	0.4331							0.045
88501	12	0.4724	32	1.2598	10	0.3937	15.4	0.6063	0.043
88013	13	0.5118							0.042
88014	14	0.5512							0.056
88502	15	0.5906	35	1.3780	11	0.4330	14.4	0.5669	0.058
88016	16	0.6299							0.060
88503	17	0.6693	40	1.5748	12	0.4724	16.6	0.6536	0.082
88504	20	0.7874	47	1.8504	14	0.5512	17.8	0.6988	0.120
88505	25	0.9843							
88026	26	1.0236	52	2.0472	15	0.5906	16.8	0.6594	0.138
88506	30	1.1811	62	2.4409	16	0.6299	24.0	0.9449	0.260
88507	35	1.3780	72	2.8346	17	0.6693	25.0	0.9843	0.360
88508	40	1.5748	80	3.1496	21	0.8267	27.0	1.0630	0.480
88509	45	1.7717	85	3.3465	21	0.8267	27.0	1.0630	0.550
88510	50	1.9687	90	3.5433	22	0.8661	30.0	1.1811	0.625
88511	55	2.1654	100	3.9370	23	0.9055	31.0	1.2205	0.760

87000 Series

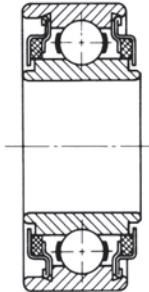


Felt Seal Ball Bearing	Bore		O.D.		Width of Outer ring		Width of Inner ring		Over All		Weight (kg)
	mm	inch	mm	inch	mm	inch	mm	inch	mm	inch	
87500	10	0.3937	30	1.1811	9	0.3543	12.2	0.4800	12.7	0.500	0.035
87011	11	0.4331									0.042
87501	12	0.4724	32	1.2598	10	0.3937	12.2	0.4800	12.7	0.500	0.041
87013	13	0.5118									0.040
87014	14	0.5512									0.052
87502	15	0.5906	35	1.3780	11	0.4330	12.2	0.4800	12.7	0.500	0.050
87016	16	0.6299									0.047
87503	17	0.6693	40	1.5748	12	0.4724	13.67	0.5380	14.3	0.563	0.075
87504	20	0.7874	47	1.8504	14	0.5512	15.24	0.6000	15.8	0.625	0.110
87505	25	0.9843									
87026	26	1.0236	52	2.0472	15	0.5906	15.24	0.6000	15.8	0.625	0.130
87506	30	1.1811	62	2.4409	16	0.6299	19.0	0.7480	20.0	0.787	0.220
87507	35	1.3780	72	2.8346	17	0.6693	20.0	0.7870	21.0	0.827	0.350
87508	40	1.5748	80	3.1496	21	0.8267	24.0	0.9450	24.0	0.945	0.450
87509	45	1.7717	85	3.3465	21	0.8267	24.0	0.9450	24.0	0.945	0.510
87510	50	1.9687	90	3.5433	22	0.8661	26.0	1.0240	26.0	1.024	0.580
87511	55	2.1654	100	3.9370	23	0.9055	27.0	1.0630	27.0	1.063	0.750

Single Row Ball Bearings
FELT SEAL TYPE

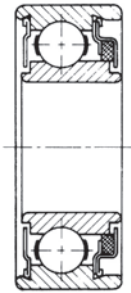
WC88000
WC87000

WC88000 Series

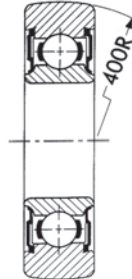


Felt Seal Ball Bearing	Bore		O.D.		Width of Outer ring		Width of Inner ring		Weight (kg)
	mm	inch	mm	inch	mm	inch	mm	inch	
WC88500	10	0.3937	30	1.1811	12.700	0.500	16.4	0.6457	0.044
WC88011	11	0.4331							0.046
WC88501	12	0.4724	32	1.2598	12.700	0.500	15.4	0.6063	0.044
WC88013	13	0.5118							0.042
WC88014	14	0.5512							0.058
WC88502	15	0.5906	35	1.3780	12.700	0.500	14.4	0.5669	0.055
WC88016	16	0.6299							0.054
WC88503	17	0.6693	40	1.5748	14.300	0.563	16.6	0.6536	0.085
WC88504	20	0.7874	47	1.8504	15.875	0.625	17.75	0.6988	0.125
WC88505	25	0.9843	52	2.0472	15.875	0.625	16.8	0.6594	0.140
WC88026	26	1.0236							0.136
WC88506	30	1.1811	62	2.4409	20.000	0.787	24.0	0.9449	0.256
WC88507	35	1.3780	72	2.8346	21.000	0.827	25.0	0.9843	0.380
WC88508	40	1.5748	80	3.1496	24.000	0.945	27.0	1.0630	0.495
WC88509	45	1.7717	85	3.3465	24.000	0.945	27.0	1.0630	0.560
WC88510	50	1.9685	90	3.5433	26.000	1.024	30.0	1.1811	0.610

WC87000 Series



Felt Seal Ball Bearing	Bore		O.D.		Width of Outer ring		Width of Inner ring		Weight (kg)
	mm	inch	mm	inch	mm	inch	mm	inch	
WC87500	10	0.3937	30	1.1811	12.700	0.500	12.192	0.4800	0.040
WC87011	11	0.4331							0.042
WC87501	12	0.4724	32	1.2598	12.700	0.500	12.192	0.4800	0.040
WC87013	13	0.5118							0.040
WC87014	14	0.5512							0.054
WC87502	15	0.5906	35	1.3780	12.700	0.500	12.192	0.4800	0.052
WC87016	16	0.6299							0.050
WC87503	17	0.6693	40	1.5748	14.300	0.563	13.665	0.5380	0.095
WC87504	20	0.7874	47	1.8504	15.875	0.625	15.240	0.6000	0.120
WC87505	25	0.9843	52	2.0472	15.875	0.625	15.240	0.6000	0.130
WC87026	26	1.0236							0.126
WC87506	30	1.1811	62	2.4409	20.000	0.787	19.0	0.7480	0.230
WC87507	35	1.3780	72	2.8346	21.000	0.827	20.0	0.7870	0.350
WC87508	40	1.5748	80	3.1496	24.000	0.945	24.0	0.9450	0.470
WC87509	45	1.7717	85	3.3465	24.000	0.945	24.0	0.9450	0.520
WC87510	50	1.9687	90	3.5433	26.000	1.024	26.0	1.0240	0.540

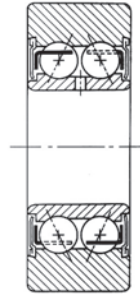


Series LD200-2RS (Spherical O.D. 400R)

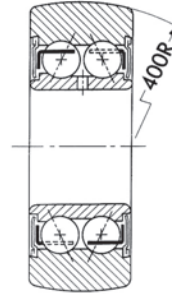
Bearing No.	Dimensions (mm)				Limiting Speed (r.p.m.)	Load Rating (kgf)		Weight (kg)	Interchange Information
	d	D	B	C		Cr	Cor		
LD200-2RS	10	32	9.0	1.0	14,500	510	240	0.050	361200-2RS
LD201-2RS	12	35	10.0	1.0	14,000	620	280	0.065	361201-2RS
LD202-2RS	15	40	11.0	1.0	12,500	690	340	0.070	361202-2RS
LD203-2RS	17	47	12.0	1.0	11,000	880	440	0.110	361203-2RS
LD204-2RS	20	52	14.0	1.5	9,500	1,090	570	0.150	361204-2RS
LD205-2RS	25	62	15.0	1.5	8,300	1,420	790	0.235	361205-2RS
LD206-2RS	30	72	16.0	1.5	7,000	1,980	1,140	0.340	361206-2RS
LD207-2RS	35	80	17.0	2.0	6,000	2,120	1,320	0.410	361207-2RS
LD208-2RS	40	85	18.0	2.0	5,100	2,950	1,820	0.460	361208-2RS

Double Row Ball Bearings
TRACK ROLLER TYPE

LD5700-ZZ (307500ZZ)
LD5800-ZZ (308500ZZ)



LD5700 (Cylindrical O.D.)



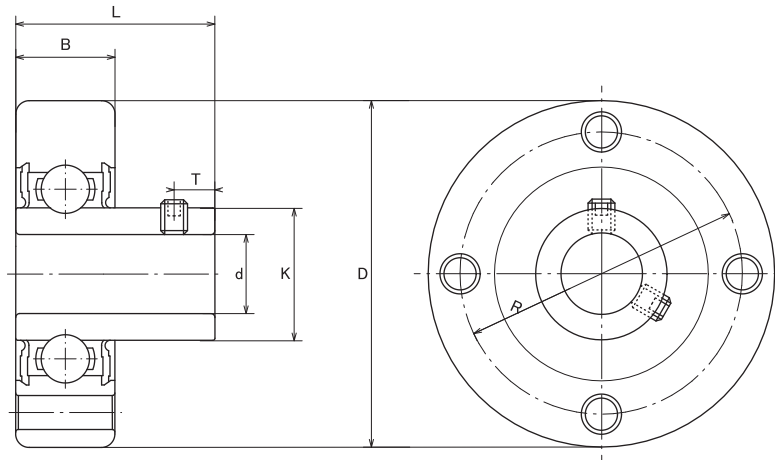
LD5800 (Spherical O.D. 400R)

Series LD5700-ZZ (Cylindrical O.D.)

Bearing No.	Dimensions (mm)				Limiting Speed (r.p.m.)	Load Rating (kgf)		Weight (kg)	Interchange Information
	d	D	B	C		Cr	Cor		
LD5700-ZZ	10	32	14.0	1.0	13,000	700	390	0.070	305700 ZZ
LD5701-ZZ	12	35	15.9	1.0	12,000	900	510	0.080	305701 ZZ
LD5702-ZZ	15	40	15.9	1.0	10,000	1,150	700	0.110	305702 ZZ
LD5703-ZZ	17	47	17.5	1.0	9,500	1,300	830	0.175	305703 ZZ
LD5704-ZZ	20	52	20.6	1.5	8,500	1,900	1,250	0.230	305704 ZZ
LD5705-ZZ	25	62	20.6	1.5	7,400	2,100	1,450	0.340	305705 ZZ
LD5706-ZZ	30	72	23.8	1.5	6,000	2,500	1,850	0.510	305706 ZZ
LD5707-ZZ	35	80	27.0	2.0	5,500	3,100	2,400	0.660	305707 ZZ
LD5708-ZZ	40	85	30.2	2.0	5,000	3,600	2,880	0.750	305708 ZZ

Series LD5800-ZZ (Spherical O.D. 400R)

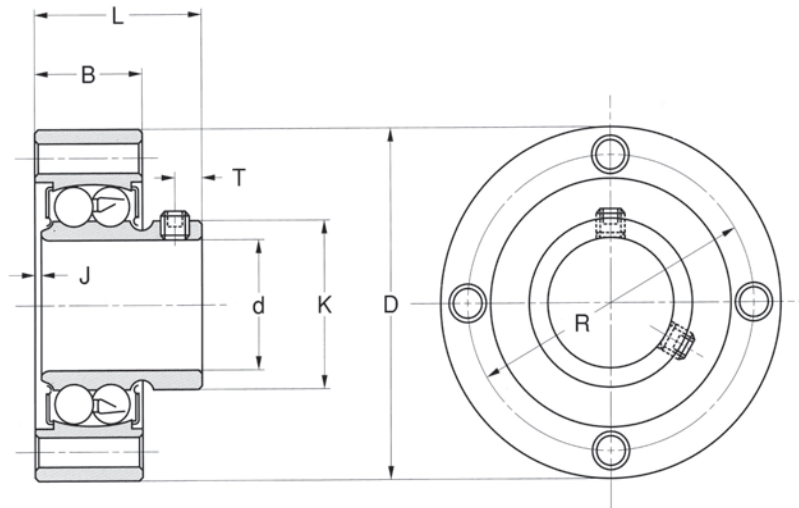
Bearing No.	Dimensions (mm)				Limiting Speed (r.p.m.)	Load Rating (kgf)		Weight (kg)	Interchange Information
	d	D	B	C		Cr	Cor		
LD5800-ZZ	10	32	14.0	1.0	13,000	700	390	0.070	305800 ZZ
LD5801-ZZ	12	35	15.9	1.0	12,000	900	510	0.080	305801 ZZ
LD5802-ZZ	15	40	15.9	1.0	10,000	1,150	700	0.110	305802 ZZ
LD5803-ZZ	17	47	17.5	1.0	9,500	1,300	830	0.175	305803 ZZ
LD5804-ZZ	20	52	20.6	1.5	8,500	1,900	1,250	0.230	305804 ZZ
LD5805-ZZ	25	62	20.6	1.5	7,400	2,100	1,450	0.340	305805 ZZ
LD5806-ZZ	30	72	23.8	1.5	6,000	2,500	1,850	0.510	305806 ZZ
LD5807-ZZ	35	80	27.0	2.0	5,500	3,100	2,400	0.660	305807 ZZ
LD5808-ZZ	40	85	30.2	2.0	5,000	3,600	2,880	0.750	305808 ZZ



SH200 Series

Bearing No.	Dimensions (mm)							Load Rating(Kgf)		
	d	D	R	B	L	K	T	Bolt	Cr	Cor
SH201	12	47	39	11	22	21.2	4.0	Ø4.6	690	330
SH202	15	47	39	11	22	21.2	4.0	Ø4.6	690	330
SH203	17	52	44	12	22	24.4	4.0	Ø4.6	880	410
SH204	20	62	52	14	25	29.6	4.3	Ø5.6	1,080	560
SH205	25	68	57	15	27	34.0	5.5	Ø5.6	1,400	780

Uni-Flange Ball Bearings SR200 Series



SR200 Series

Bearing No.	Dimensions (mm)								Load Rating(Kgf)		
	d	D	R	B	L	K	T	J	Bolt	Cr	Cor
SR201	12	47	39	15	27	20.8	4.0	Ref. 1.0	Ø4.6	560	130
SR202	15	47	39	15	27	20.8	4.0	Ref. 1.0	Ø4.6	750	180
SR203	16	52	44	17	28	24.0	4.0	Ref. 1.0	Ø4.6	800	200
SR204	20	62	52	19	31	29.3	4.3	Ref. 1.0	Ø5.6	1,000	260
SR205	25	72	60	19	32	33.3	5.5	Ref. 1.0	Ø6.5	1,220	330



Extended inner Rings Ball Bearings

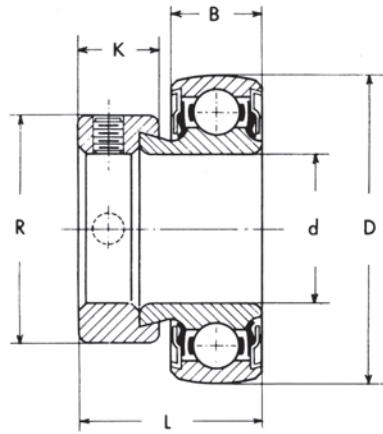
Interchangeable Standard Dimensions

Spherical O. D.

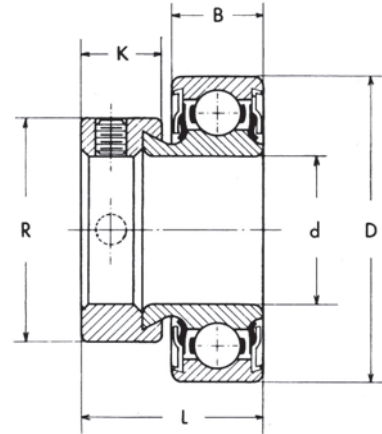
RA200

Cylindrical O. D.

RA100



Spherical O. D.
RA200



Cylindrical O. D.
RA100

Series RA200, RA100 dimensions

Bearing No.		Shaft Dia : d		D		B		R		K		L		Collar Number	Weight (kg)
Spherical O.D.	Cylindrical O.D.	inch	mm	mm	inch	mm	inch	mm	inch	mm	inch	mm	inch		
RA203-008	RA103-008	1/2	12.700	40	1.575	13	0.512	28.6	1 1/8	13.5	17/32	28.6	1 1/8	EC-3 008	0.156
RA203-009	RA103-009	9/16	14.288											EC-3 009	0.145
RA203-010	RA103-010	5/8	15.875											EC-3 010	0.127
RA203	RA103		17.000											EC-3	0.115
RA204-012	RA104-012	3/4	19.050	47	1.85	15	0.591	33.4	1 5/16	13.5	17/32	31.0	1 7/32	EC-4 012	0.132
RA204	RA104		20.000											EC-4	0.127
RA205-013	RA105-013	13/16	20.638	52	2.047	15	0.591	38.1	1 1/2	13.5	17/32	31.0	1 7/32	EC-5 013	0.217
RA205-014	RA105-014	7/8	22.225											EC-5 014	0.213
RA205-015	RA105-015	15/16	23.812											EC-5 015	0.199
RA205	RA105		25.000											EC-5	0.187
RA205-100	RA105-100	1	25.400											EC-5 100	0.180
RA206-101	RA106-101	1 1/16	26.988	62	2.441	18	0.709	44.5	1 3/4	15.9	5/8	35.8	1 13/32	EC-6 101	0.349
RA206-102	RA106-102	1 1/8	28.575											EC-6 102	0.326
RA206	RA106		30.000											EC-6	0.319
RA206-103	RA106-103	1 3/16	30.162											EC-6 103	0.317
RA206-104	RA106-104	1 1/4	31.750	EC-6 104	0.294										
RA207-104	RA107-104	1 1/4	31.750	72	2.835	19	0.748	55.6	2 3/16	17.5	11/16	38.9	1 17/32	EC-7 104	0.562
RA207-105	RA107-105	1 5/16	33.338											EC-7 105	0.540
RA207-106	RA107-106	1 3/8	34.925											EC-7 106	0.512
RA207	RA107		35.000											EC-7	0.495
RA207-107	RA107-107	1 7/16	36.512											EC-7 107	0.476
RA208-108	RA108-108	1 1/2	38.100	80	3.15	22	0.866	60.4	2 3/8	18.3	23/32	43.7	1 23/32	EC-8 108	0.694
RA208-109	RA108-109	1 9/16	39.688											EC-8 109	0.648
RA208	RA108		40.000											EC-8	0.635

It desired two lubrication holes through the outer rings, Please state letter "G" as example GRA203-008

Set Screws : Millimeter bore - Supplied with Metric Fine Screw Thread
 : Inch size bore - Supplied with Unified Screw Thread

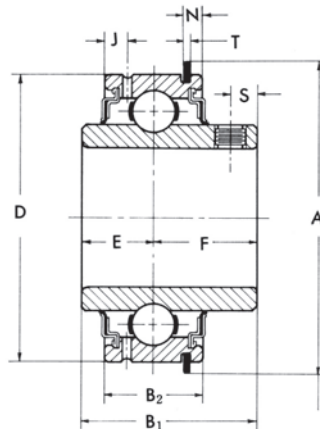
Extended inner Rings Ball Bearings

Interchangeable Standard Dimensions



Regreassable
Cylindrical O. D.
with Stop Ring

ER100



Series ER100

Cylindrical
O.D.

Bearing No.	Bore		Dimensions (mm) (inch)										Set Screws	Weight (kg)		
	inch	mm	D	B1	E	F	B2	J	S	A	N	T				
ER104-8	1/2	12.700														0.156
ER104-10	5/8	15.875	47	30.956	10.32	20.63	15.875	4.4	4.8	52.7	3.4	1.07	1/4-28		0.145	
ER104-12	3/4	19.050	1.8504	1 7/32			5/8								0.127	
ER104		20.000													0.115	
ER105-14	7/8	22.225													0.132	
ER105-15	15/16	23.812	52	34.925	13.09	21.83	19.050	5.2	5.6	57.9	3.4	1.07	1/4-28		0.127	
ER105		25.000	2.0472	1 3/8			3/4								0.217	
ER105-16	1	25.400													0.213	
ER106-17	1 1/16	26.988													0.199	
ER106-18	1 1/8	28.575	62	38.100	15.87	22.23	22.225	5.5	5.6	67.9	4.8	1.65	1/4-28		0.187	
ER106	1	30.000	2.4409	1 1/2			7/8								0.180	
ER106-19	3/16	30.162													0.349	
ER107-20	1 1/4	31.750													0.326	
ER107-21	1 5/16	33.338	72	42.862	17.46	25.4	23.812	5.5	6.4	78.6	4.8	1.65	5/16-24		0.319	
ER107-22	1 3/8	34.925	2.8346	1 16/11			15/16								0.317	
ER107		35.000													0.294	
ER107-23	1 7/16	36.512													0.562	
ER108-24	1 1/2	38.100													0.540	
ER108-25	1 9/16	39.688	80	49.212	19.05	30.16	27.781	6.4	7.9	87.0	4.8	1.65	5/16-24		0.512	
ER108		40.000	3.1496	1 15/16			1 3/32								0.495	
ER109-26	1 5/8	41.275													0.476	
ER109-27	1 11/16	42.862	85	49.212	19.05	30.16	27.781	6.4	7.9	91.8	4.8	1.65	5/16-24		0.694	
ER109-28	1 3/4	44.450	3.3465	1 15/16			1 3/32								0.648	
ER109		45.000													0.635	
ER110-29	1 13/16	46.038													0.496	
ER110-30	1 7/8	47.625	90	51.593	19.05	32.54	28.575	7.5	9.5	96.5	5.6	2.41	5/16-24		0.694	
ER110-31	1 15/16	49.212	3.5433	2 1/32			1 1/8								0.648	
ER110		50.000													0.635	
ER111-32	2	50.800													0.476	
ER111-34	2 1/8	53.975	100	55.562	22.22	33.34	30.162	7.5	9.5	106.8	5.6	2.41	5/16-24		0.694	
ER111		55.000	3.9370	2 3/16			1 3/16								0.648	
ER111-35	2 3/16	55.562													0.635	

If desired two lubrication holes through the outer rings, Please state letter "G" as example GRA203-008

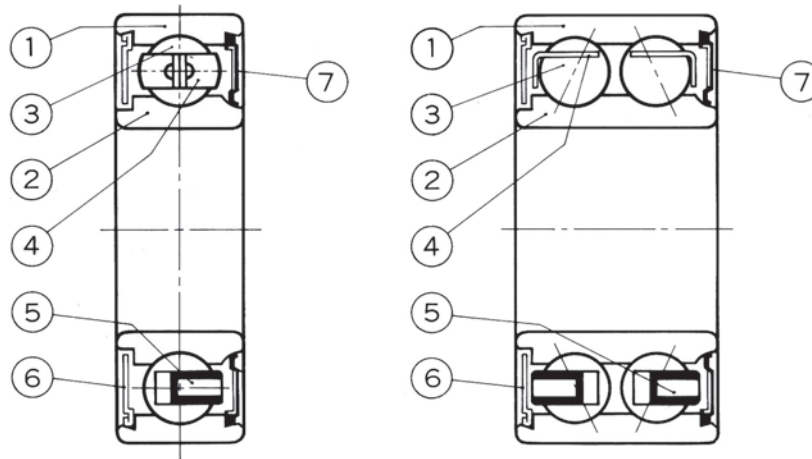
Set Screws : Millimeter bore – Supplied with Metric Fine Screw Thread
: Inch size bore – Supplied with Unified Screw Thread

■ Characteristics of Stainless Steel Ball Bearings :

Dimensional tolerance is better than ABEC-1(JIS 0 class). Martensite stainless steel AISI-440C is used for inner ring, outer ring and ball which provides toughness, durability and corrosion resistance.

JAF Stainless Steel Ball Bearing is hardened at HRC57-62 to provide enough durability and due to its stabilized oxidation film, out bearing has a better resistance against corrosion in the air and water, and also if it is used in salt water, it shows the best resistance against corrosion.

■ Construction and Material :



1	Outer ring	Material : AISI-440C or QD-51, HRC57-62
2	Inner ring	Material : AISI-440C or QD-51, HRC57-62
3	Ball	Material : AISI-440C, HRC57-62
4	Retainer (A)	Ribbon type made of AISI-304 stainless
5	Retainer (B)	Crown type made of 6-6 Nylon
6	Shield	AISI-304 stainless steel
7	Seal	Synthetic rubber with AISI-304 core

■ Chemical Component of Martensite Stainless Steel

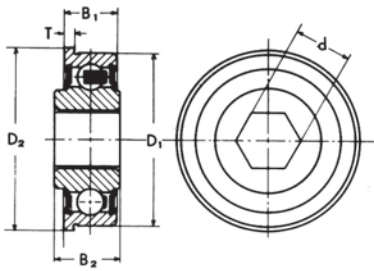
Symbol	C	Si	Mn	P	S	Ni	Cr	Mo
AISI440C	0.95-1.20	less than 1.00	less than 1.00	less than 0.04	less than 0.03	less than 0.50	16.00-18.00	less than 0.75
QD-51	0.65-0.75	less than 0.35	0.45-0.75	less than 0.04	less than 0.03	less than 0.50	13.00-14.00	less than 0.75

Special Ball Bearings

Interchangeable Standard Dimensions

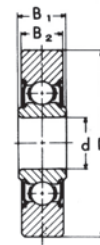


RX84



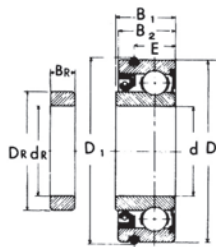
(mm)	
d	17.84
D ₁	53.97
D ₂	57.15
B ₁	15.87
B ₂	20.19
T	3.17
C	1,100kgf
Co	710kgf

1762A



(mm)	
d	17.00
D	62.00
B ₁	16.00
B ₂	14.00
C	1,060kgf
Co	665kgf

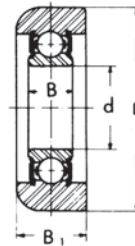
RW507ER



(mm)			
d	35.00	d _R	34.80
D	72.00	D _R	46.70
D ₁	73.00	B _R	9.50
B ₁	23.50		
B ₂	22.50		
T	15.80		

C 1,970kgf
Co 1,300kgf

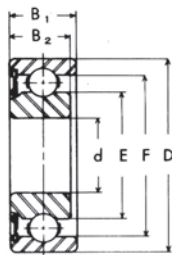
**D-206
D-307**



	(mm)	
	D-206	D-307
d	30.00	35.00
D	75.00	100.00
B	16.00	21.00
B ₁	25.00	28.00

C 1,530kgf 2,610kgf
Co 1,020kgf 1,820kgf

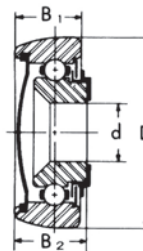
205KRA-Y



(mm)	
d	19.05
D	52.00
B ₁	17.80
B ₂	16.20
E	33.60
F	43.60

C 1,100kgf
Co 710kgf

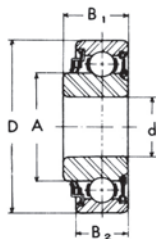
**T-75V
T-82V**



	(mm)	
	T-75V	T-84V
d	15.00	25.00
D	54.00	82.00
B ₁	21.00	29.00
B ₂	26.00	34.00

C 1,010kgf 630kgf
Co 2,010kgf 1,390kgf

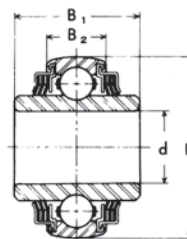
RX104-2A



(mm)	
d	16.00
D	47.00
B ₁	17.47
B ₂	14.00
A	29.20

C 1,010kgf
Co 630kgf

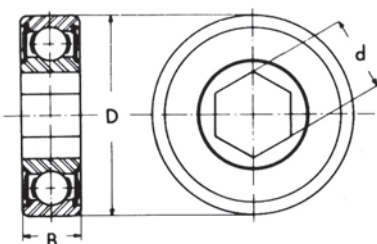
205-RBT



(mm)	
d	23.90
D	52.00
B ₁	35.00
B ₂	15.00

C 1,100kgf
Co 710kgf

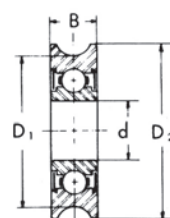
967400



(mm)	
d	19.10
D	52.00
B	15.00

C 1,250kgf
Co 795kgf

**M-17
M-25**

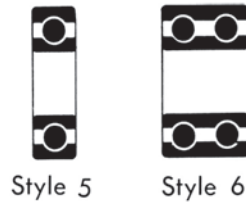
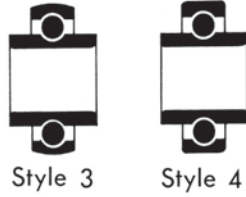
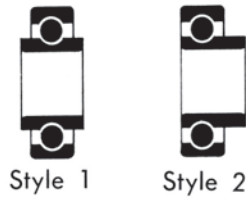


	(mm)	
	M-17	M-25
d	17.00	25.00
D ₁	49.00	65.00
D ₂	60.00	76.00
B	14.00	19.00

C 700kgf 1,080kgf
Co 410kgf 700kgf

Special Ball Bearings

Interchangeable Standard Dimensions

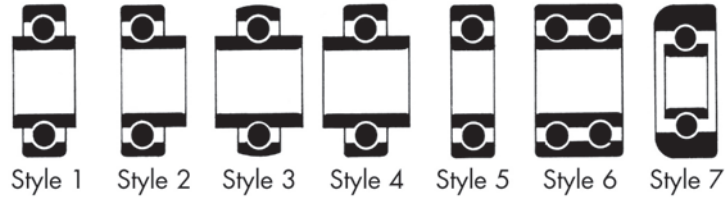


Style --- Dimensions in mm

Bearing No.	Type		Dimensions in mm				Feature
			Bore	O.D.	Width Of Outer ring	Width of Inner ring	
88501A11	FELT Seal	1	11.123	32	10	15.400	
202(16)IRI	IRI Seal	1	16	35	11	14.450	202NPP11
202KRR	KRR Seal	1	HEX	35	11	13	Across Flats 14.300
203KRR	KRR Seal	1	16.230	40	12	18.288	203KRR-2
HX206KRR	KRR Seal	1	HEX	62	16	24	Across Flats 25.400
KRR106	KRR Seal	1	30	62	16	24	206KRR4
FU206-2RS	2RS	1	22	64	28	30	
KRR107-35	KRR	1	35	72	17	25	207KRR
88107	FELT Seal	1	35	72	17	25	
88507-Y	Y Seal	1	35	72	17	25	
88128	FELT Seal	1	38.892	80	21	27.500	
208KRR-H	KRR Seal	1	38.892	80	21	27.500	208KRR-4
S-88508	2RS	1	40	80	18	28	
KRR110-11	KRR Seal	1	50	100	20	30	210KRR-3
RBT1211-203	TRI-Seal	1	55.562	100	33.337	55.562	ST627
BB215	2-IRI	2	15.875	40	14.427	26.441	SET Screws
SB6004-012	2RS	2	19.050	42	12	25	SET Screws
204-2LRS	2L+RS	2	16.027	45.224	15.494	18.669	204FREN
6208EI	Open	2	40	80	18	35	500235A
6209EI	Open	2	45	85	19	35	061987
6210EI	Open	2	50	90	20	35	
KRR204-012LC	KRR Seal	3	19.050	47	14	34.100	1012KRRB-3
KRR205-015LC	KRR Seal	3	23.812	52	15	35	205PPB-6
RBT205-012	TRI-Seal	4	19.080	52	15	34.925	205PP-9
RBT105-015	TRI-Seal	4	23.812	52	15	35	205PP-7
RBT205-015	TRI-Seal	3	23.812	52	15	35	205PPB-7
RBT105-10	TRI-Seal	4	16.256	52	15	34.925	205PP-10
FTD210	Open	4	49.225	90	20	49.212	1150-1 · 15/16
A211-201	Open	4	52.388	100	21	55.562	RM1201K
26004Z	Z	5	19.050	42.862	11.112	11.112	
204RRS-Z	2RS	5	19.063	45.224	15.494	15.494	Z9504B
98305	Open	5	25	62	12	12	
411802	ZZ	5	36.512	68	15	15	
6202-1/2-2RS	2RS	5	12.700	35	11	11	
6203-3/4-2RS	2RS	5	19.050	40	12	12	
6205-100-2RS	2RS	5	25.400	52	15	15	
6206-104	Open	5	31.750	62	16	16	
6403-RSNR	RS-NR	5	17	62	17	17	
6406-NNR	NR	5	30	90	23	23	
RW207HHR	2RS	5	35	72	21.460	21.460	
6307-NR-B2	Open-NR	5	35	80	17	17	
308NR-2	Open-NR	5	40	90	20	20	
309NR-2	Open-NR	5	45	100	21	21	
206NHL	Open	5	30	65	16	16	Spring Roll Pin
207NHL	Open	5	35	75	17	17	Spring Roll Pin
MX211-CV	Open-N	5	55	100	17.272	17.272	Attachment Cover
5202-2RSNR-5	2RS-NR	6	15.875	35	15.875	15.875	
W5203-2RSNR	2RS-NR	6	17	40	20.600	20.600	
5205-2RS-100	2RS	6	25.400	52	20.600	20.600	
5206-2RS-102	2RS	6	28.575	62	23.800	23.800	
4203-A	Open	6	17	40	16	16	4203-RK
4304-A	Open	6	20	52	21	21	4304-RK
D-206A	2RS	7	30	76	25	16	Mast Roller
D-305	2RS	7	25	76.200	25.400	17	Mast Roller

Special Size of Steel Ball Bearing

Special Size of Bearings will be designed and manufactured in accordance with your request.



Please copy this page and enter all the information that you can.

Style of bearing : _____

Bore : _____ mm or _____ inch

Outside Dimension : _____ mm or _____ inch

Width of Inner ring : _____ mm or _____ inch

Width of Outer ring : _____ mm or _____ inch

Shield/Seal type : _____ Open _____ Shield _____ Seal

Cage type : _____ Steel _____ Nylon

Quantity (Month/Year) : _____ pcs.

Contact person : _____

Company : _____

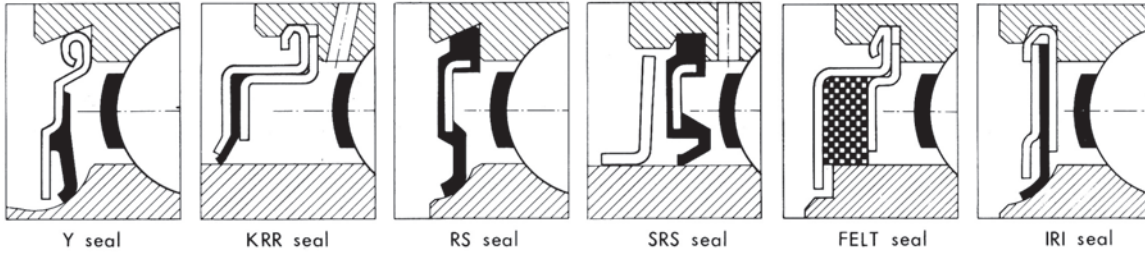
Address : _____

Phone : _____

Fax : _____

email : _____

Seal types



Seal types for Bearing series

Seal Type	Bearing Series Number
Y seal	RA200 RA100 SC200 6200
KRR seal	GRR200 KRR200 NKR200 NKR100
RS seal	6000 6200 6300 5200 5300 99R RLS RMS SC200 SB200
SRS seal	UC200 SH200 SR200
FELT seal	87000 88000 WC87000 WC88000
IRI seal	SC200 SB200 6200 RLS RMS
SQR seal	SQ200 SQ100 WSQ200 WSQ100 SQ1200 GSQ200



Radial Load Rating in Kgs (Pounds) at Various R.P.M.

Basic Bearing Number	r.p.m.	Based on 2500 Hours Average Life								Based on 500 Hours Average Life							
		50	100	200	500	1000	1500	2000	3000	50	100	200	500	1000	1500	2000	3000
203		386	304	242	178	141	124	112	98	661	521	415	306	242	212	193	168
		850	670	533	392	310	273	246	216	1457	1148	914	674	533	467	425	370
204		516	407	324	239	189	165	150	131	884	697	556	409	323	284	258	224
		1137	897	714	526	416	363	330	288	1948	1536	1225	901	712	626	568	493
205		562	443	353	260	205	180	164	142	963	759	605	446	352	309	281	244
		1238	976	778	573	451	396	361	313	2123	1673	1333	983	716	681	619	537
206		782	617	492	362	286	251	228	198	1339	1056	842	620	490	430	390	340
		1723	1360	1084	798	630	553	502	436	2951	2328	1856	1366	1080	947	859	749
207		1028	811	646	476	376	330	299	260	1759	1387	1106	814	643	565	513	446
		2266	1787	1424	1049	828	727	659	573	3877	3057	2438	1794	1417	1245	1130	983
208		1166	919	733	539	426	374	339	295	1995	1573	1254	923	730	641	581	506
		2570	2026	1615	1188	939	824	747	650	4398	3467	2764	2034	1609	1413	1280	1115
209		1315	1037	826	608	480	422	383	333	2249	1773	1414	1041	822	722	655	571
		2899	2286	1820	1340	1058	930	844	734	4958	3908	3117	2294	1812	1591	1444	1258
210		1407	1109	884	651	514	451	410	357	2407	1898	1513	1114	880	773	701	611
		3101	2444	1948	1435	1133	994	903	787	5306	4184	3335	2455	1940	1704	1545	1347
211		1739	1371	1093	805	636	558	507	441	2975	2346	1870	1377	1088	955	867	755
		3833	3022	2409	1774	1402	1230	1117	972	6558	5171	4122	3035	2398	2105	1911	1664

1kg = 2.2046 lb 1 lb = 0.45359kg

1. Tolerances on Outside Diameter of Outer Rings

Nominal outer diameter		Dimensions in μ ($\mu = 1/1000\text{mm}$)		
		Outer Ring		
D in mm		Outer Diameter		Radial runout
over	under	Min.	Max.	Max.
6	18	0	-8	15
18	30	0	-9	15
30	50	0	-11	20
50	80	0	-13	25
80	120	0	-15	35

2. Tolerances on Inside Diameter of Inner Rings

Nominal outer bore		Dimensions in μ ($\mu = 1/1000\text{mm}$)		
		Inner Ring		
d in mm		Inside Diameter		Radial runout
over	under	Min.	Max.	Max.
10	18	0	-8	10
18	30	0	-10	13
30	50	0	-12	15
50	80	0	-15	20

3. Width and Hardness of Inner & Outer Rings

Nominal outer bore		Dimensions in μ ($\mu = 1/1000\text{mm}$)			C scale		
		Width			HARDNESS		
d in mm		Outer & Inner Ring		Variation of width		Rockwell	
over	under	go	not go	Max.	low	high	
10	18	0	-120	20	60	64	
18	30	0	-120	20	60	64	
30	50	0	-120	20	60	64	
50	80	0	-120	25	60	64	

4. Chemical Component for Material

JIS Steel No.	Chemical Component (%)					
	C	Si	Mn	P	S	Cr
SUJ - 2	0.95	0.15	less than	less than	less than	1.30
	1.10	0.35	0.50	0.025	0.025	1.60

1. Radial Clearance of Single row ball bearings

Nominal bore		Dimensions in μ ($\mu = 1/1000\text{mm}$)							
		C2		Normal		C3		C4	
over	under	Min.	Max.	Min.	Max.	Min.	Max.	Min.	Max.
6	10	0	7	2	13	8	23	14	29
10	18	0	9	3	18	11	25	18	33
18	24	0	10	5	20	13	28	20	36
24	30	1	11	5	20	13	28	23	41
30	40	1	11	6	20	15	33	28	46
40	50	1	11	6	23	18	36	30	51
50	65	1	15	8	28	23	43	38	61

2. Radial Clearance of Self-Aligning Ball Bearings

Nominal bore		Dimensions in μ ($\mu = 1/1000\text{mm}$)							
		C2		Normal		C3		C4	
over	under	Min.	Max.	Min.	Max.	Min.	Max.	Min.	Max.
6	10	2	9	6	17	12	25	19	33
10	14	2	10	6	19	13	26	21	35
14	18	3	12	8	21	15	28	23	37
18	24	4	14	10	23	17	30	25	39
24	30	5	16	11	24	19	35	29	46
30	40	6	18	13	29	23	40	34	53
40	50	6	19	14	31	25	44	37	57

3. Radial Clearance of Double Row Anglar Contact Bearings

Nominal bore		Dimensions in μ ($\mu = 1/1000\text{mm}$)					
		C2		Normal		C3	
over	under	Min.	Max.	Min.	Max.	Min.	Max.
-	10	0	7	2	10	8	18
10	18	0	7	2	11	9	19
18	24	0	8	2	11	10	21
24	30	0	8	2	13	10	23
30	40	0	9	3	14	11	24
40	50	0	10	4	16	13	27
50	65	0	11	6	20	15	30

JAF

INTERCHANGEABLE STANDARD DIMENSIONS

BALL BEARINGS

